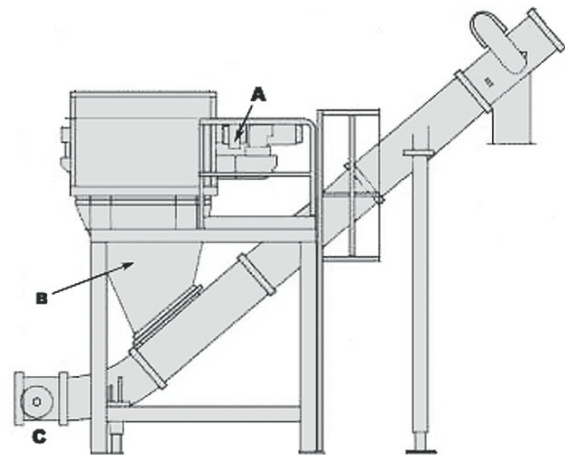


HERBOLD



Pre-Washing Tank

The function of the pre-washing tank is based on the swim-sink principle, i.e. on the different specific weights of the various components contained in the feed material that will either cause them to float on the water surface or to sink to the bottom of the tank. Thus the device serves for separating the light and heavy components of the waste material that is being fed into it. A washing/discharge drum (item A) installed on top of the tank cleans the floating fraction of the feed material by constantly dipping it underneath the water surface and at the same time discharges the material to the follow-up unit (e.g. a granulator) within the recycling line. The heavier fractions (stones, glass, metals, etc.) of the feed material sediment inside the conical bottom part (item B) of the tank. This waste fraction of the feed material will be discharged into the dewatering container beneath the tank by means of a rake conveyor (item C). This unit helps to prevent severe damages to the granulator by rising the overall lifetime of the granulator. The material needs to be shredded before going into the



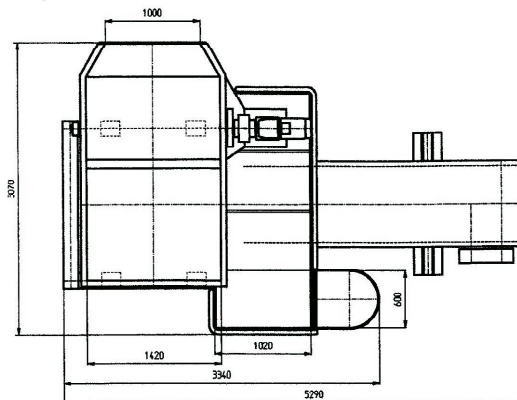
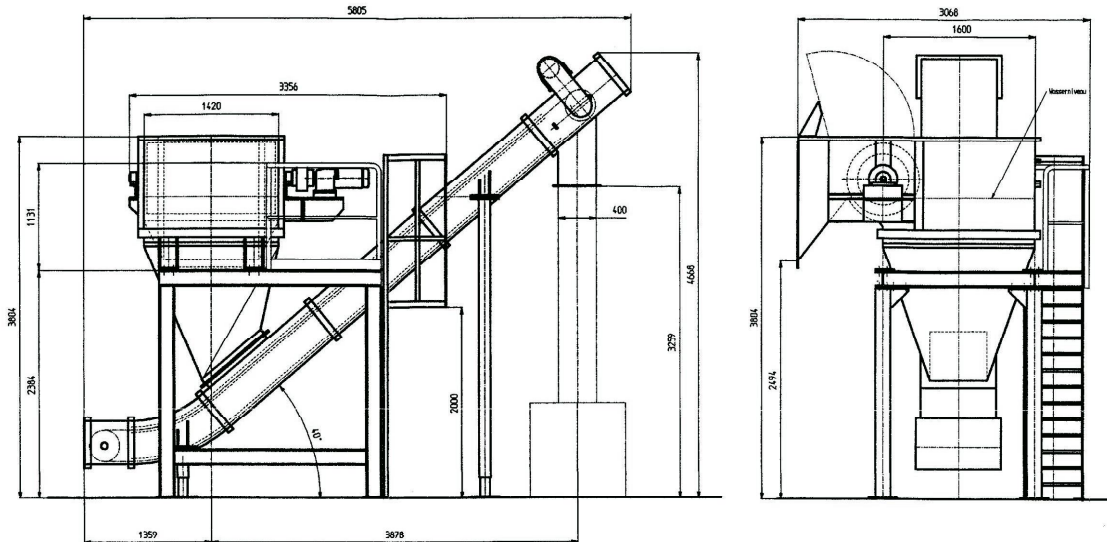
Pre-Washing Tank

granulator. Typically the contaminated material that is to be shredded needs to be as follows:

For hard plastics size reduction of approximately 50 mm, up to 3 tons/hour

For film, 200 mm, up to 1.5 tons/hour

Special features



dimensions in mm

Technical data:

| | |
|--|-------------|
| Tank (mm) | 2500 x 1400 |
| Maintenance platform | |
| Drive feed (kW) | 3 |
| Drive discharge (kW) | 3 |
| Scraping chain conveyor (kW) | 3 |
| product touching parts in stainless steel | |



Our product range

- Granulators
- Pulverizing Systems
- Shredders
- Hammer Mills
- HOG Shredders
- Guillotines
- Washing Systems
- Plastcompactors

Herbold Meckesheim GmbH

Industriestr. 33
D-74909 Meckesheim
Postfach 1218
D-74908 Meckesheim
Tel.: + 49 (0) 6226/932-0
Fax: + 49 (0) 6226/932-495
E-Mail: Herbold@Herbold.com
Internet: www.Herbold.com

Our US-Subsidiary:

Herbold Meckesheim USA
Resource Recycling Systems Inc.
333 George Washington Highway,
USA-Smithfield,
Rhode Island 02917
Phone: + 1 401-232-3354
Fax: + 1 401-232-5425
info@HerboldUSA.net
www.HerboldUSA.net