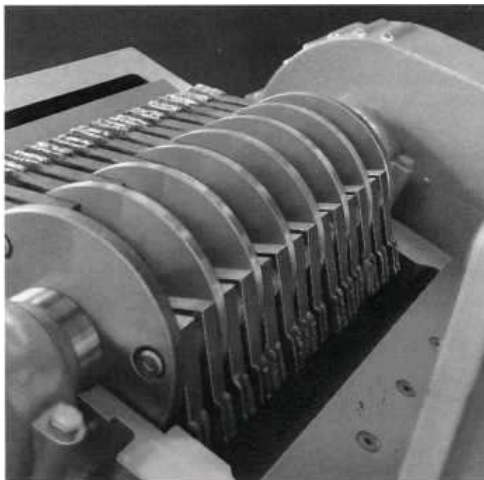


HERBOLD Hammer Mills Series HM 45/... Specially Designed for Abrasive Material

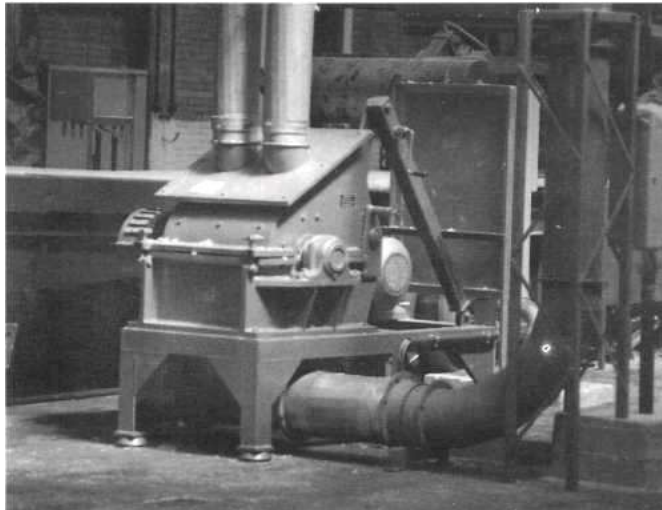


Special measures have to be taken to equip a size reduction unit for handling very abrasive materials. HERBOLD has developed a special series of machines designed for this type of application. Three standard sizes with working widths of 300, 400 and 600 mm are available, as well as custom built units in special sizes.

How do these machines differ from standard hammer mills?



Grinding chamber equipped with 25 mm reinforced flat steel hammer heads.



HM 45/60 used for reducing edge trims in a glass-fibre factory.

- The surfaces of the particularly vulnerable outer hammer anchor discs are reinforced.
- Choice of hammer heads available at request: armour-plated or low price pressed version.
- Outboard pillowblock rotor bearings completely separated from the grinding chamber: this prevents dust from the granulate from entering and contaminating the bearings.
- Unbreakable solid welded steel construction, no cast parts: this expensive construction protects the unit from damage due to over-loading or foreign materials.

HERBOLD hammer mills of this series are in use throughout the world in factories where very abrasive materials are being processed around the clock. Some typical applications:

- Size-reduction of glass-fibre for direct return feed of the reduced material via the feed chute into the production line.
- For the production of glass-fibre granulate to insulate cavities with (blow-wool) .
- Size-reduction of armoured glass.
- For the processing of intermediate layers for brake-linings and hardened production rejects.
- Size-reduction of re-inforced glass-fibre materials (GRP, compression moulded material).
- Recovery of metal chips.
- Size-reduction of computer scrap.

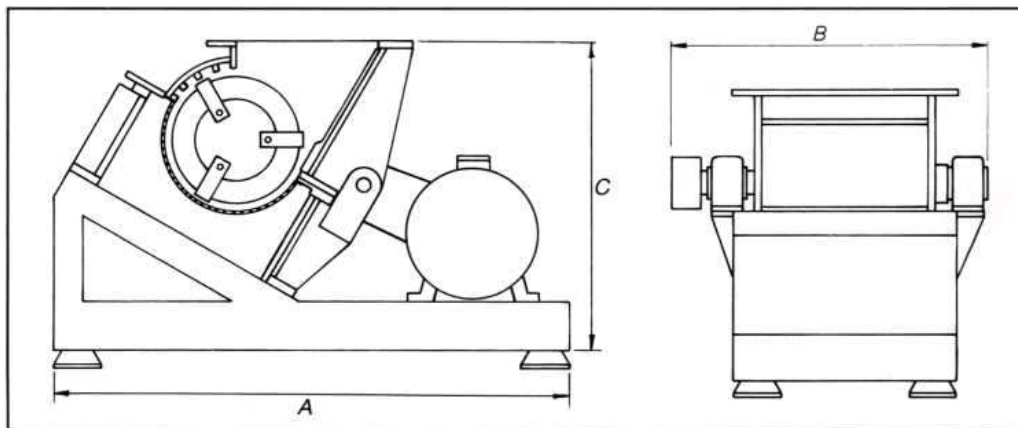
The special design of the rotor bearings allows for extremely high speeds (up to 100 m/s). For this reason it is possible to use the mill for cold size-reduction as well as for the pulverization of cellulose and for the fine grinding of brittle materials. If required the machines can be manufactured from special material, such as stainless steel, non-conductive material or with a nickel-coated surface.

- The complete grinding chamber is fitted with bolted replaceable manganese steel plates: easy to replace when surfaces are worn.
- Replaceable abrasion ring around the rotor shaft at the point of entry into the casing: no erosion of the rotor shaft.



After opening the mill with the hand winch it is possible to lift the hinged screen support without difficulty.

Summary of Hammer mills HM	45/30		45/40		45/60	
Feed opening h x w [mm] h x w [inches]	470 x 340 18 1/2" x 13 1/2"		470 x 440 18 1/2" x 17 1/2"		470 x 600 18 1/2" x 23 1/2"	
Drive power [kW] / [HP]	7.5 - 22 / 10 - 30		7.5 - 22 / 10 - 30		11 - 45 / 15 - 60	
Standard speed [min ⁻¹] [rpm]	1450		1450		1450	
max. speed [min ⁻¹] [rpm]	3200		3200		3200	
Weight without drive [kg] / [lbs]	2200 / 4800		2900 / 6400		3400 / 7500	
Standard hammer types width [mm] / [inches] quantity	steel strips 3 / 1/8" 60	flat steel 25 / 1" 24	steel strips 3 / 1/8" 90	flat steel 25 / 1" 30	steel strips 3 / 1/8" 126	flat steel 25 / 1" 42



	45/30	45/40	45/60
A	1750	1750	1750
B	1000	1100	1300
C	1080	1080	1080



Our product range

- Granulators
- Pulverizing Systems
- Shredders
- Hammer Mills
- HOG Shredders
- Guillotines
- Washing Systems
- Plastcompactors

Herbold Meckesheim GmbH

Industriestr. 33
D-74909 Meckesheim
Postfach 1218
D-74908 Meckesheim
Tel.: + 49 (0) 6226/932-0
Fax: + 49 (0) 6226/932-495
E-Mail: Herbold@Herbold.com
Internet: www.Herbold.com

Our US-Subsidiary:

Herbold Meckesheim USA
Resource Recycling Systems Inc.
333 George Washington Highway,
USA-Smithfield,
Rhode Island 02917
Phone: + 1 401-232-3354
Fax: + 1 401-232-5425
info@HerboldUSA.net
www.HerboldUSA.net