

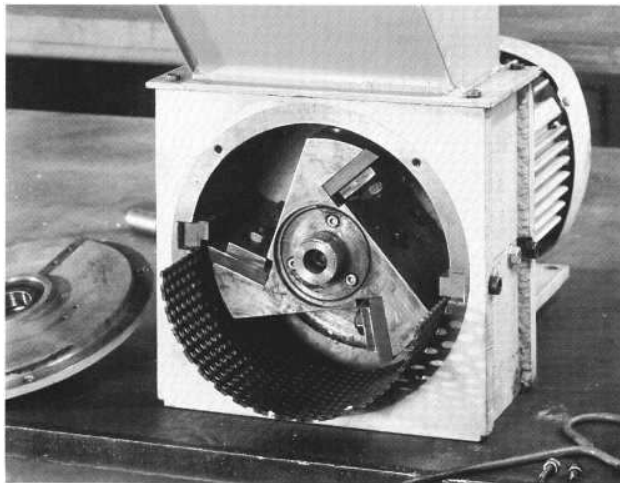
## Small granulator SML 20/10 for laboratory applications and the size reduction of small pieces of waste material



**Housing:** Sturdy welded construction, easily accessible through a removable grinding chamber cover positioned on the front side of the unit. The unit is equipped with 2 bed knives fitted in the block with diagonal cutting blades. The rotor cutting blades are positioned in such a way that a double cross cutting action is achieved.

**Rotor:** This is a half open, adjustable 3-blade rotor. The rotor shaft is equipped with adjusting screws to simplify rotor blade adjustment.

**Drive:** The unit is driven by a 3-phase motor flanged onto the unit. The rotor runs at a low speed (rotor periphery speed: 10.3 m/s) to reduce the amount of fine particles, noise and temperature during operation.



SML 20/10 open



SML 20/10

**Screen:** The screen which is semi-circular is positioned beneath the rotor. The hole size of the screen depends on the granule size required. Standard screens are available with diameters from 4 to 12 mm.

**Mountings:** The standard drive motor is equipped with flanged feet which can be fitted directly to a work top or a mounting frame.

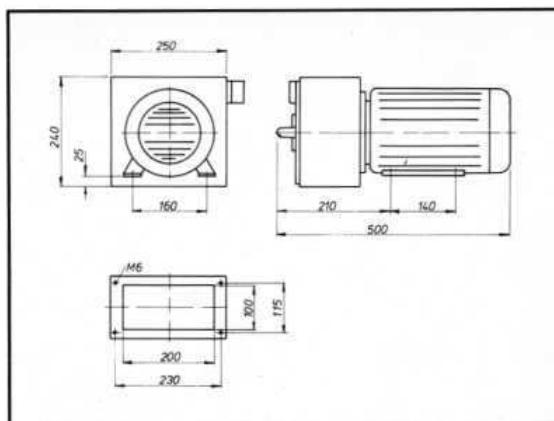
**Safety measures:** The grinding chamber cover is fitted with special limit switches as demanded by the German Association of Chemical Industries (BG Chemie).

**Technical specifications:**

Feed/delivery opening:	200 x 100 mm
Quantity of rotor blades:	3
Quantity of stator blades:	2
Drive motor (3 phases):	2.2 kW, 1000 rpm, 380 V
Weight without accessories:	approx. 115 kg

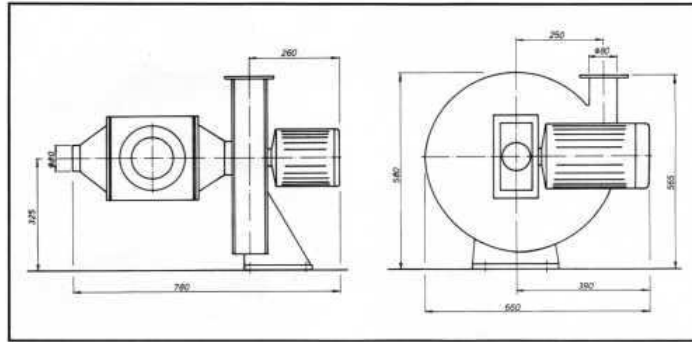
**Special accessories:**

- Feed hopper
- Granule storage container
- Mounting frame

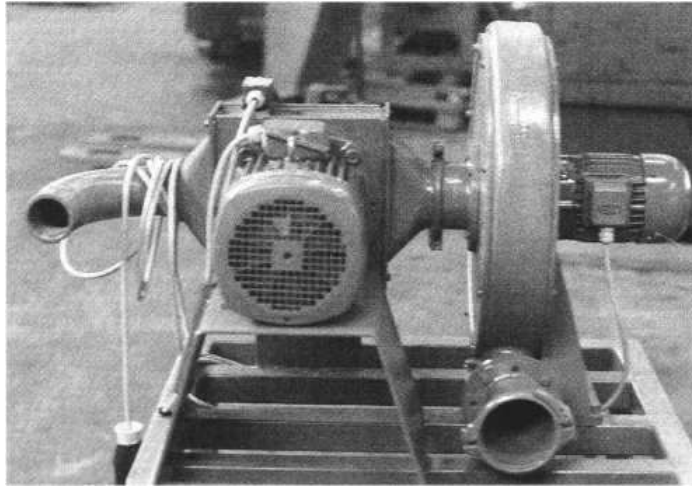


The unit can also be supplied with a cyclone extraction fan, e.g. for flat film edge strip recycling.

Brochures are available on request.



Special execution SML 20/10 AD adapted to the size reduction of flat film edge strips



Special execution for profiles and tubes waste



#### Our product range

- Granulators
- Pulverizing Systems
- Shredders
- Hammer Mills
- HOG Shredders
- Guillotines
- Washing Systems
- Plastcompactors

#### Herbold Meckesheim GmbH

Industriestr. 33  
D-74909 Meckesheim  
Postfach 1218  
D-74908 Meckesheim  
Tel.: + 49 (0) 6226/932-0  
Fax: + 49 (0) 6226/932-495  
E-Mail: [Herbold@Herbold.com](mailto:Herbold@Herbold.com)  
Internet: [www.Herbold.com](http://www.Herbold.com)

#### Our US-Subsidiary:

**Herbold Meckesheim USA**  
**Resource Recycling Systems Inc.**  
333 George Washington Highway,  
USA-Smithfield,  
Rhode Island 02917  
Phone: + 1 401-232-3354  
Fax: + 1 401-232-5425  
[info@HerboldUSA.net](mailto:info@HerboldUSA.net)  
[www.HerboldUSA.net](http://www.HerboldUSA.net)