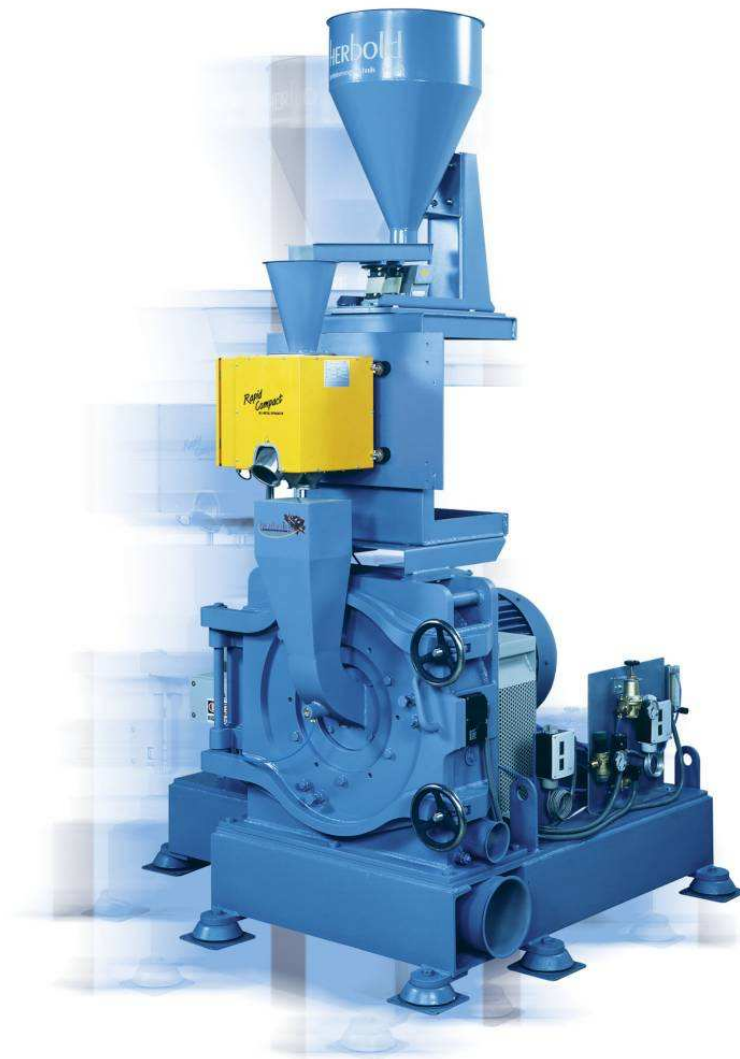


# Pulverizers PU Series



*Pulverizer type PU 500 with toothed discs*

- compact and space-saving design
- short material dwell time in the grinding chamber
- universal adaptability to different fine grinding applications
- easy changing of grinding tools
- optimum adjustment of the grinding gap from outside the machine

# A Convincing Fine Grinding Technology For High Quality Powder

Herbold pulverizers of the PU series are high speed grinders for pulverizing different kinds of materials, such as:

- ground stock from pipes, profiles and other extruded products
- film
- PE-virgin material for rotational molding and coating
- vulcanized rubber granulate
- amorphous and brittle products from
  - food and
  - chemical industry

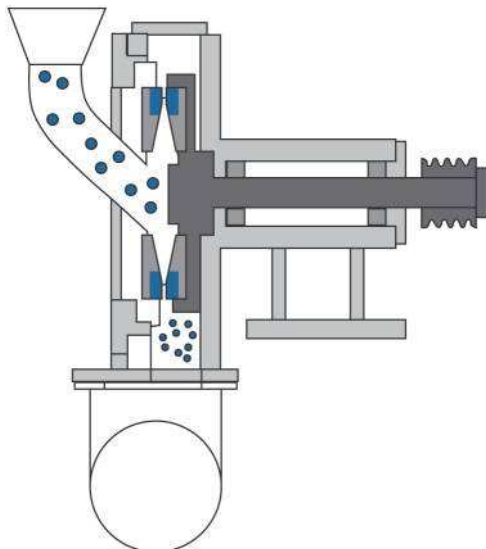


*PU 300 with dosing unit and metal separator*

## Examples of achieved throughputs

Material	Finess	Throughput PU 300	Throughput PU 500	Throughput PU 500 Twin
LDPE	100 % < 500 $\mu$ with screening machine	150 kg/h	250 kg/h	500 kg/h
Rigid PVC Pipe quality	100 % < 600 $\mu$ with screening machine	300 kg/h	600 kg/h	1200 kg/h
Rigid PVC Pipe quality	96 % < 600 $\mu$	400 kg/h	800 kg/h	1600 kg/h

*The performance data are approximate values depending upon the material quality, size of the infeed material, and condition of the grinding tools.*

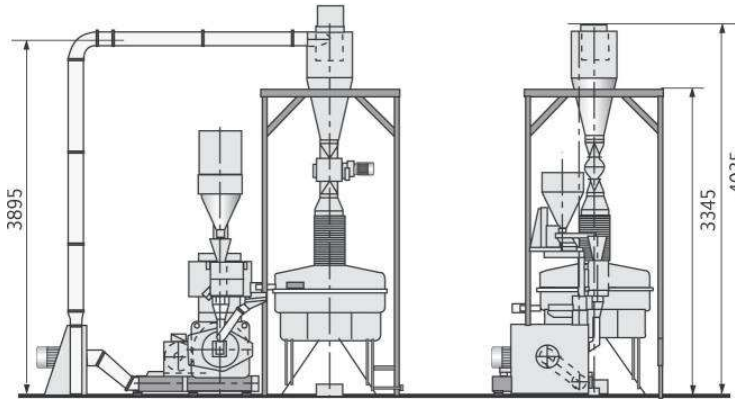


*Functional diagram pulverizer with toothed discs*

## Mode of working

The material to be pulverized is centrally fed into the grinder via a dosing unit. Feeding is overload controlled.

If toothed discs are used, the infeed material is pulverized between the rotating and the fixed toothed discs and then evacuated by suction from the grinding chamber.



## Fine grinding with or without screening machine

For many products, the requested fineness will be achieved in one pass. But if necessary, the pulverizer can be equipped at the discharge end with a screening machine and the oversized material automatically refeed into the pulverizer.

*Fine grinding system with metal separator and screening machine*

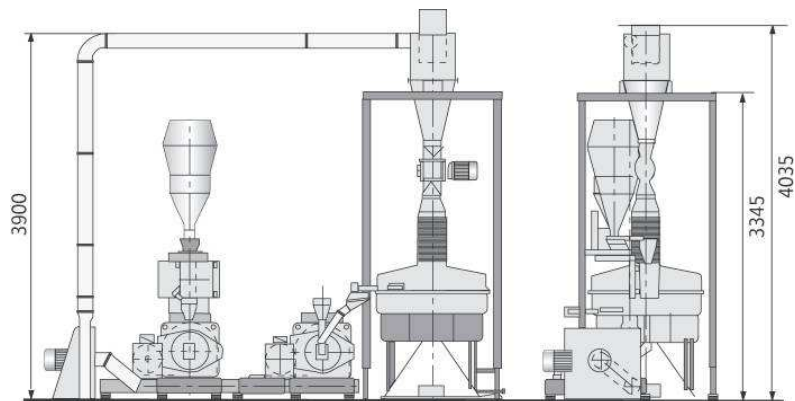
## Advantages of the Herbold pulverizers

- Short material dwell time in the grinding chamber, preventing the product from being overheated.
- Easy changing of the grinding tools. The one-piece design ensures a quick exchange without protracted adjustment works or dismantlement of machinery parts.
- The compact welded steel construction does not require much place.
- Optimum adjustment of the grinding gap from outside the machine using a feeler gauge. The gap between the toothed discs is easily set from outside the pulverizer, with the machine closed, by means of adjusting bolts and a feeler gauge.
- The high grinding performances of the different series with an excellent powder quality guarantee an outstanding price-performance ratio and quick amortization.

## High quality and throughput with the PU 500 Twin System

e.g. for the production of LLDPE powder for rotational molding:  
At a throughput of 500 kg/h and 100 % fineness below 500  $\mu$  optimum flow characteristics and bulk density are achieved.

This result is produced by pulverizing the product in two separate machines:



*PU 500 Twin system with screening machine*

- 1st pulverizer - fine grinding
- 2nd pulverizer - fine grinding of the oversized material

# The Herbold Fine Grinding Technology: A Convincing, User-Oriented Machinery Concept

Different products require different tools for fine grinding. Depending on the product and fineness requirements the Herbold pulverizers are supplied with the most appropriate and proven grinding tools.



### Wing beater

*The most robust variation for coarse grained infeed material or substances with adherent foreign bodies. The same screen and grinding fittings as for the turborotor are available.*



### Pinned discs

*Suitable for all greasy and heat-sensitive materials and also for cryogenic grinding to obtain an ultra-fine grain. Optionally available with a drive for one disc or with two drives for both discs.*

### Turborotor

*Suitable for all abrasive and tough resilient materials, e.g. sugar, rubber, etc. The pulverizer is fitted with a 360° screen basket or a grinding track, or a combination of both.*



## Herbold Size Reduction Technology A finished program for grinding and recycling a great variety of wastes and products.

### Our product range

- Granulators
- Pulverizing systems
- Shredders
- Hammer mills
- Guillotines
- Washing systems
- Plastcompactors

### Herbold pulverizers (available sizes)

Typ	Rotor Ø mm	Drive kW	Weight kg	Capacity kg/h
PU 180	180	7,5	700	20 - 100
PU 300	300	22 - 30	1000	50 - 500
PU 500	500	45 - 75	1800	150 - 1000
PU 800	800	90 - 110	3000	300 - 2000
PU 900	900	max. 110	4500	500 - 2500
PU 1250	1250	max. 200	5500	800 - 3500

Specifications are not binding and subject to change without notice.



### Herbold Meckesheim GmbH

Industriestrasse 33  
D-74909 Meckesheim

P.O. Box 1218  
D-74908 Meckesheim

Phone: +49 (0) 62 26 / 932-0  
Fax: +49 (0) 62 26 / 932-495

E-Mail: [Herbold@Herbold.com](mailto:Herbold@Herbold.com)  
Internet: [www.Herbold.com](http://www.Herbold.com)

### Our US-subsiary:

Herbold Meckesheim USA  
Resource Recycling Systems Inc.  
333 George Washington Highway,  
Smithfield Rhode Island 02917

Phone: +1 401-232-3354

or +1 888-612-7774

Fax: +1 401 232 5425

E-Mail: [Info@HerboldUSA.net](mailto:Info@HerboldUSA.net)

Internet: [www.HerboldUSA.net](http://www.HerboldUSA.net)